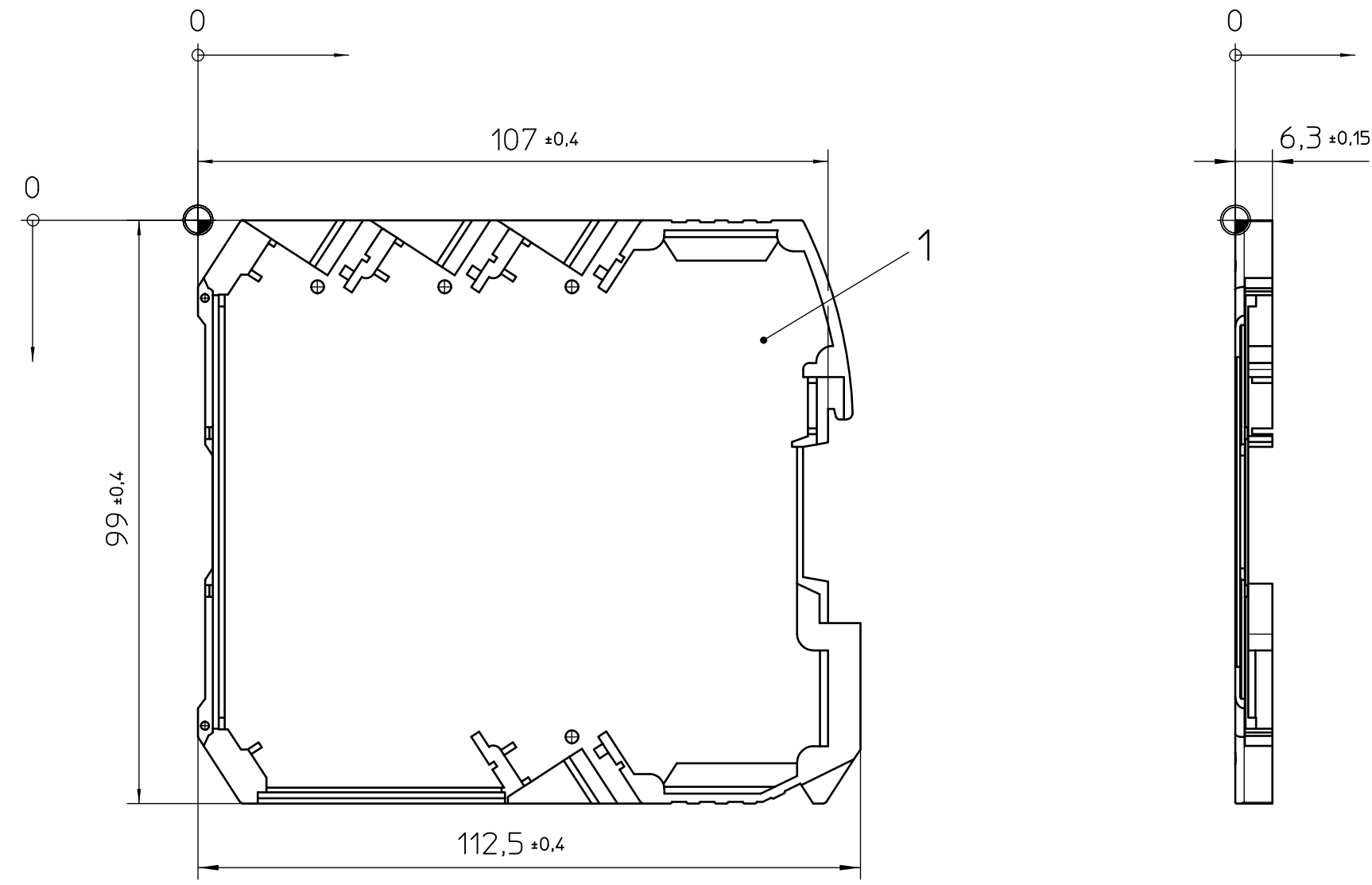
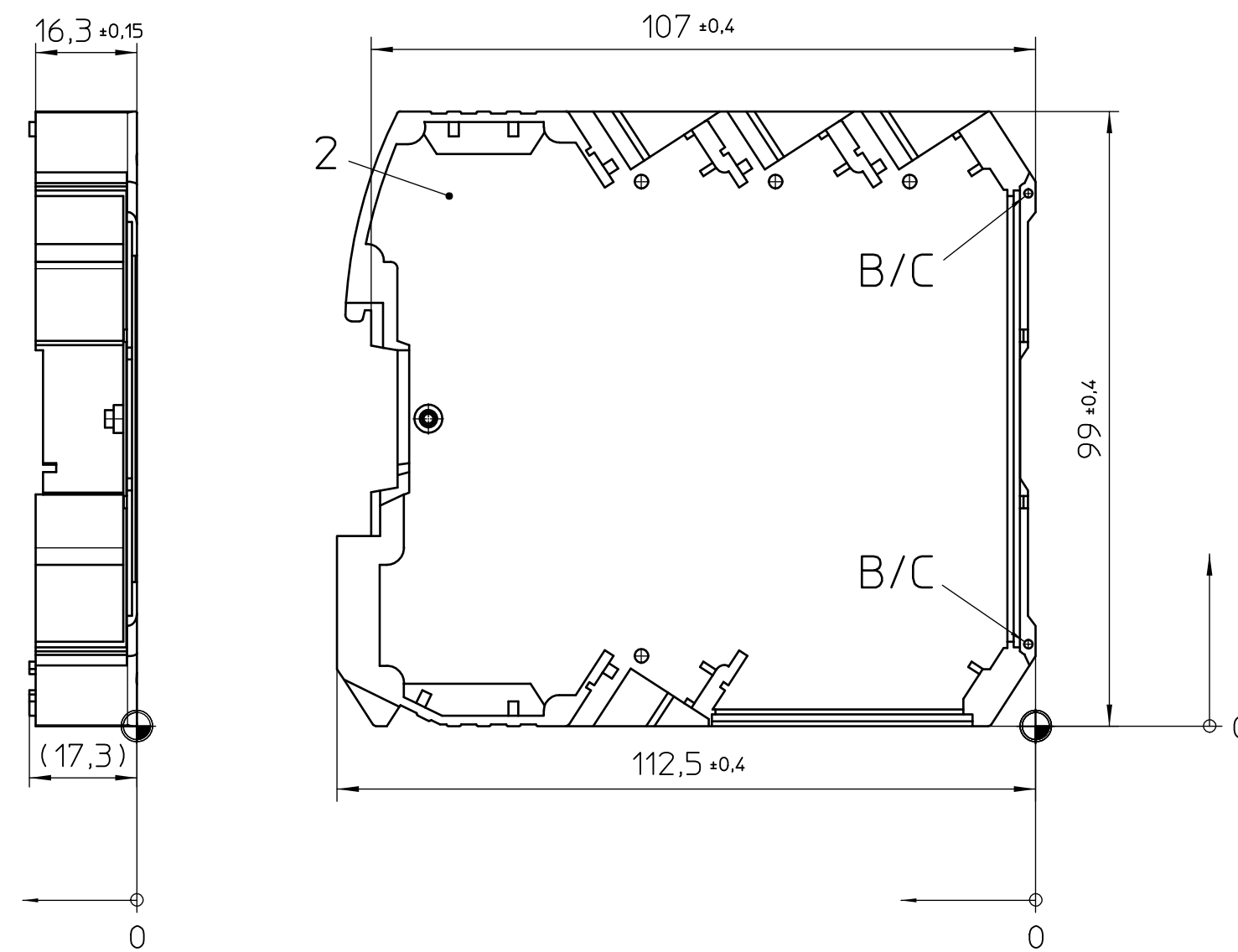


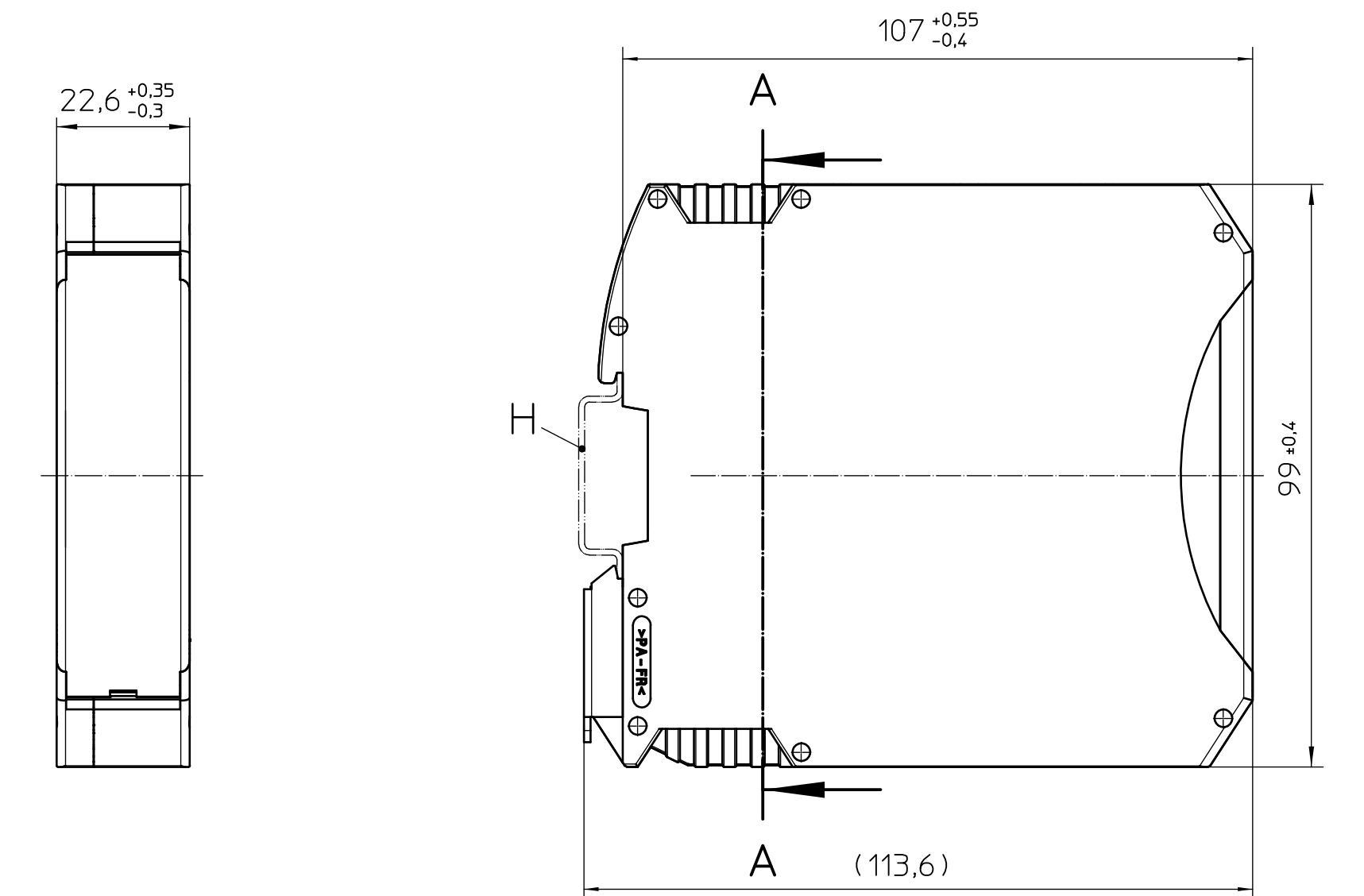
HOUSING LEFT



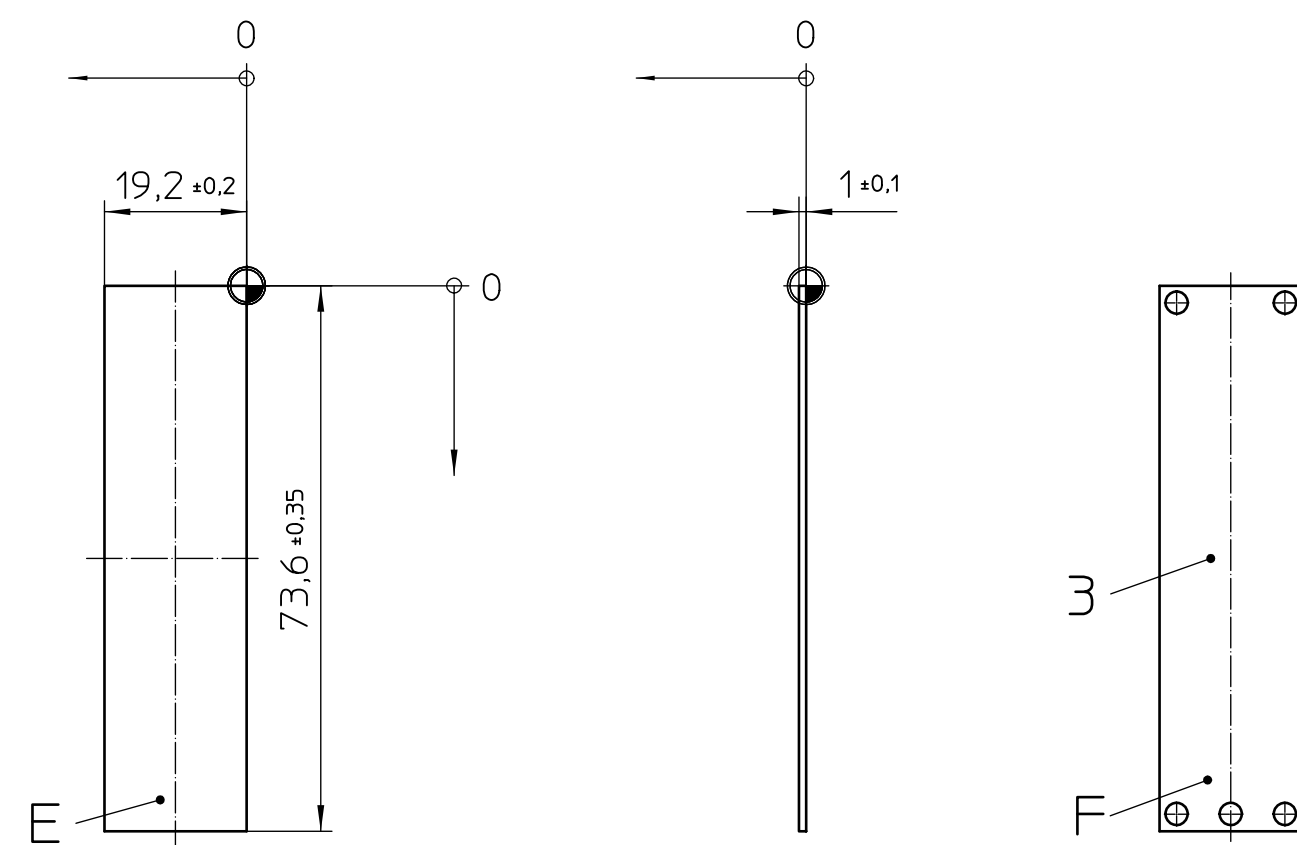
HOUSING RIGHT



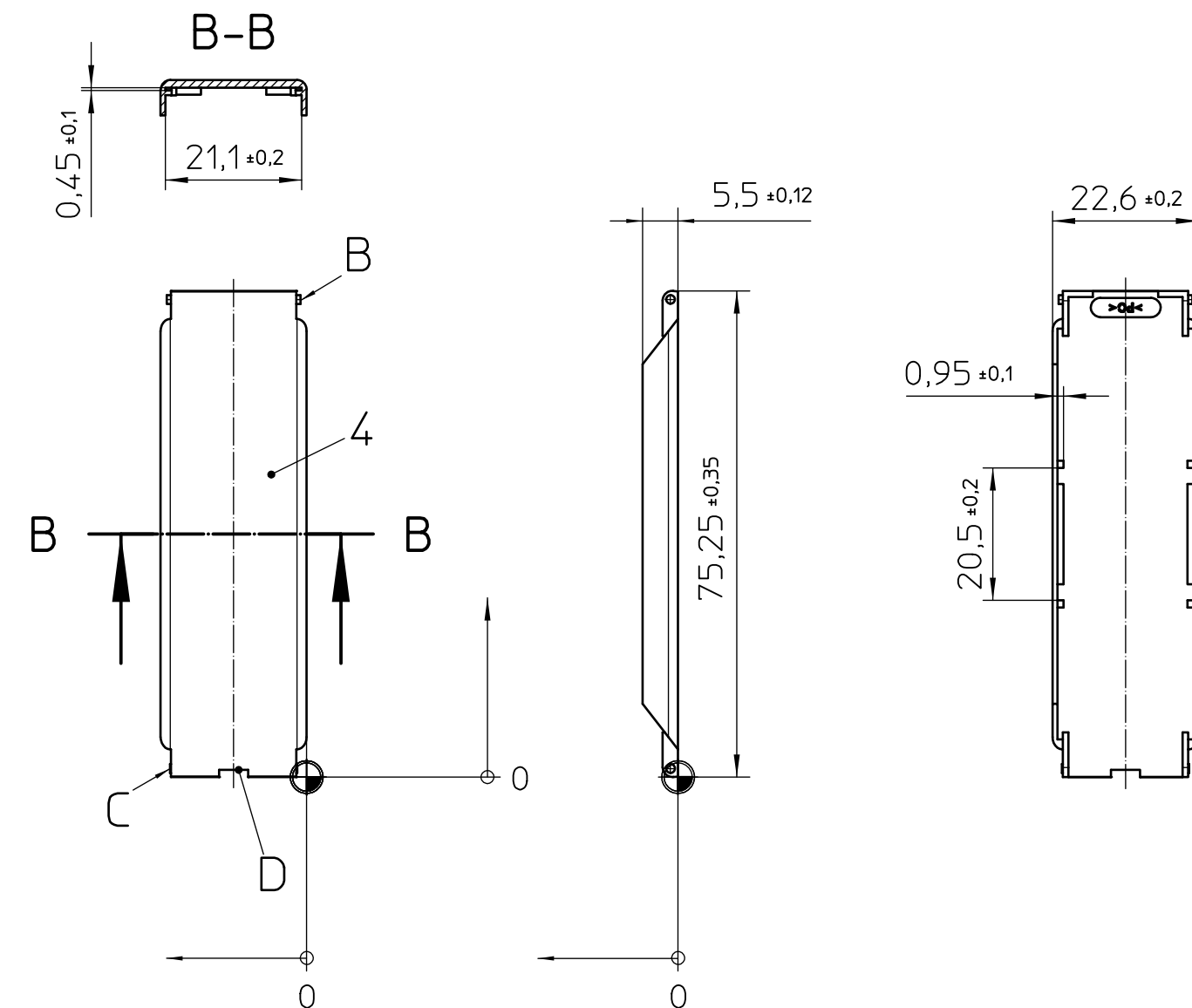
Assembly example: ME MAX 22,5 G 3-U1



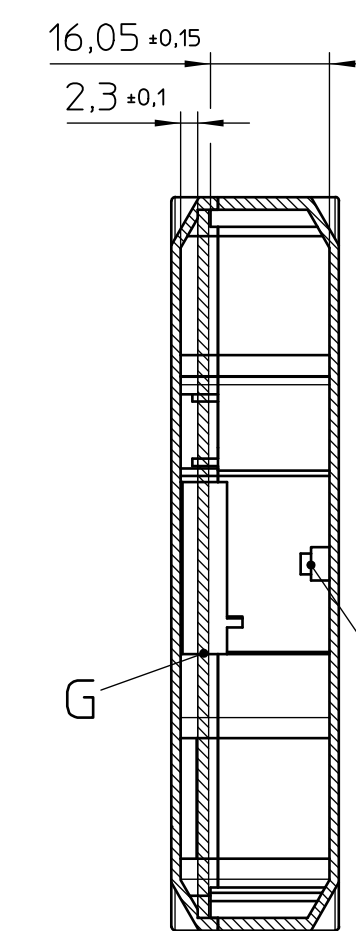
FRONT PLATE



HINGED COVER

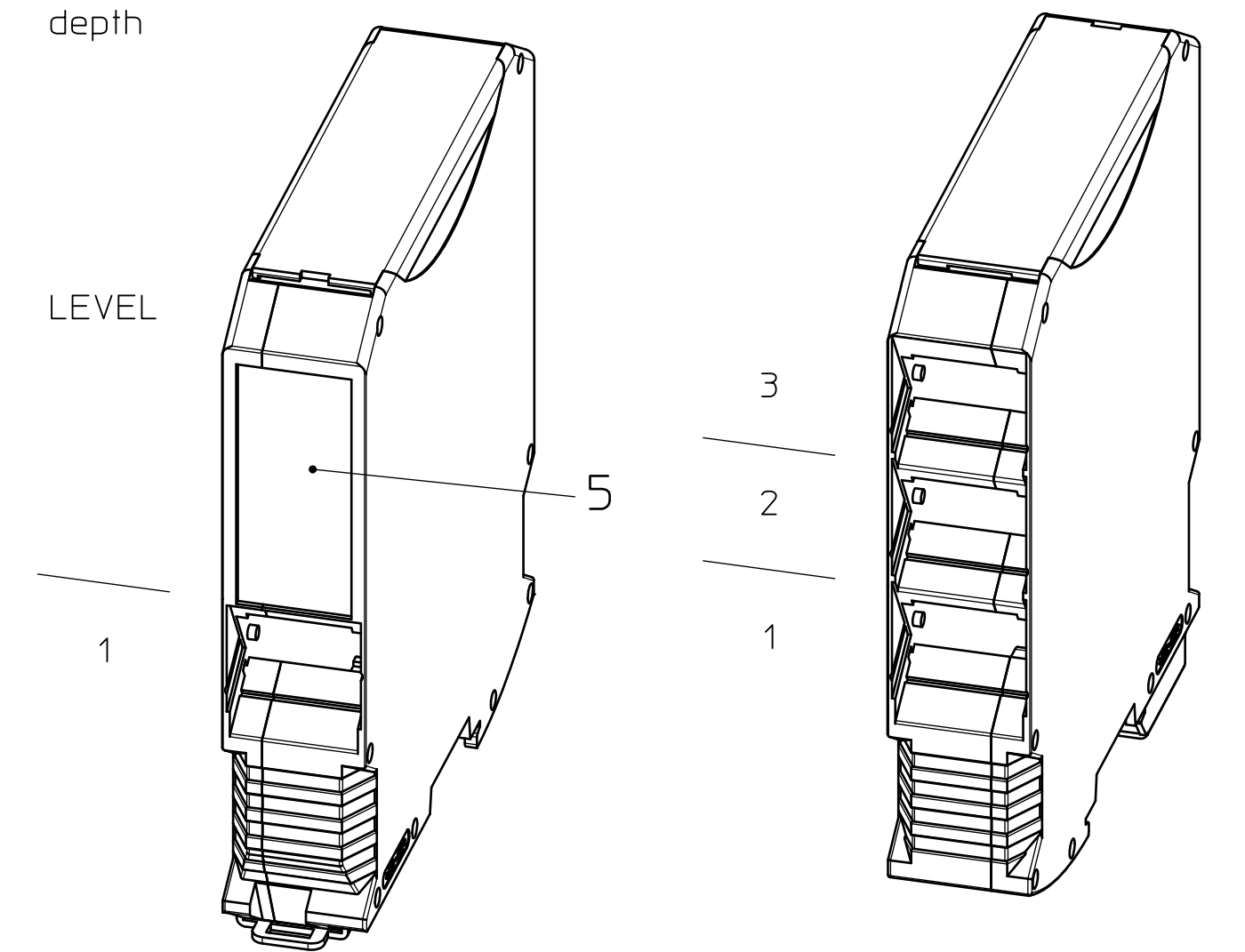


A-A

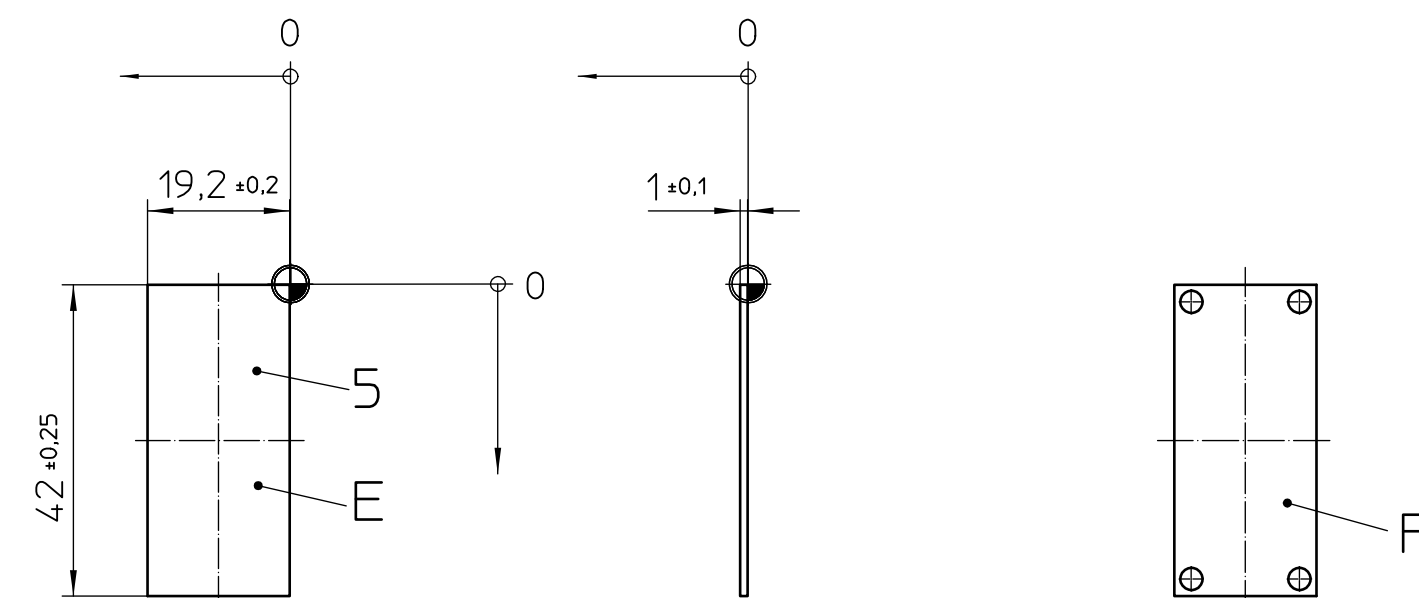


height
width
depth

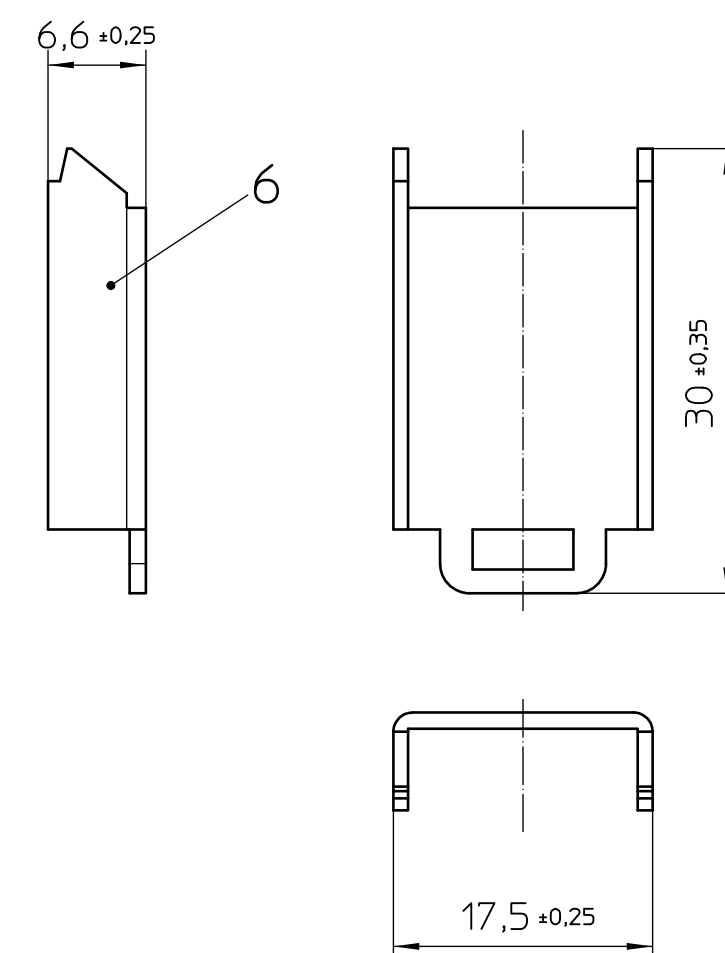
LEVEL



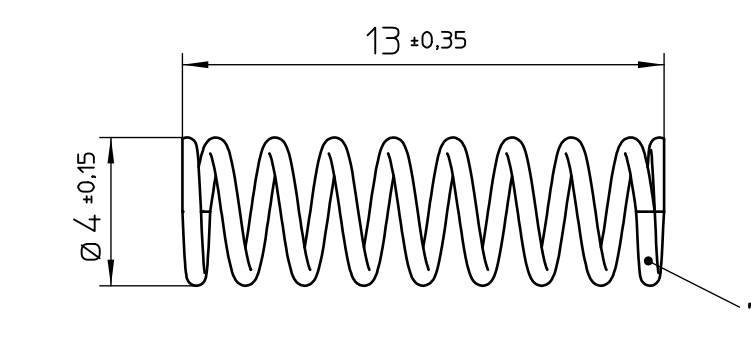
SIDE PLATE



FOOT CATCH
2:1



SPRING
5:1



Weitergabe sowie Vervielfältigung dieses Dokuments, Verwertung und
 Mitteilung seines Inhalts sind verboten, soweit nicht ausdrücklich gestattet.
 © 2015 Phoenix Contact AG. Alle Rechte vorbehalten.

- General Information
- A. Attachment point for the optional PCB
 - B. Pivot bearing HINGED COVER
 - C. Locking HINGED COVER
 - D. Notch for locking release, by screw driver
 - E. Exposed side
 - F. Inner side
 - G. Recommended PCB outline on www.phoenixcontact.com webcode: #0512
 - H. Mounting rail like EN 60715: TH 35-7.5 or mounting rail TH 35-15x1.5 similar to EN 60715
- = Workpiece zero point for mechanical processing

KIT

Pos.	QTY	Description
1	1	HOUSING LEFT
2	1	HOUSING RIGHT
3	1	FRONT PLATE
4	1	HINGED COVER
5	1	SIDE PLATE
6	1	FOOT CATCH
7	1	SPRING

- Simplified representation
 - Document excluded from change process
 - CAD Data see Download-Center on www.phoenixcontact.com
 - Linear dimensions [mm]
 - Tolerances, apply in a normal climate according to DIN 50014-23/50-2, PA plastic parts with about 2% (% by weight) moisture content.

DIN A1	document-No. / Ri 00873366 / 00	date 21.05.2015	scale 1:1
Phoenix Contact	ident.-No.	document-type Customer drawing	
page 1 of 1	description ME MAX 22,5 G 3-U1		